

## Unisto Hi-Genius



The ISO 17712 certified and C-TPAT compliance High Security Bolt Seal is the number one solution to seal Freight Containers, Truck Doors, Trailers and Goods Wagons. Very popular in the Shipping, Transport, Air Cargo and Retail industries. A tensile strength of more than 2000 kg prevents opportunistic theft. Removal requires special bolt cutters. Permanent marking of customer name and consecutive numbering or barcode for fast, accurate data capture. Available in a range of plastic colours.

---

## Features of this security seal

### Type of Seal

Bolt Seals

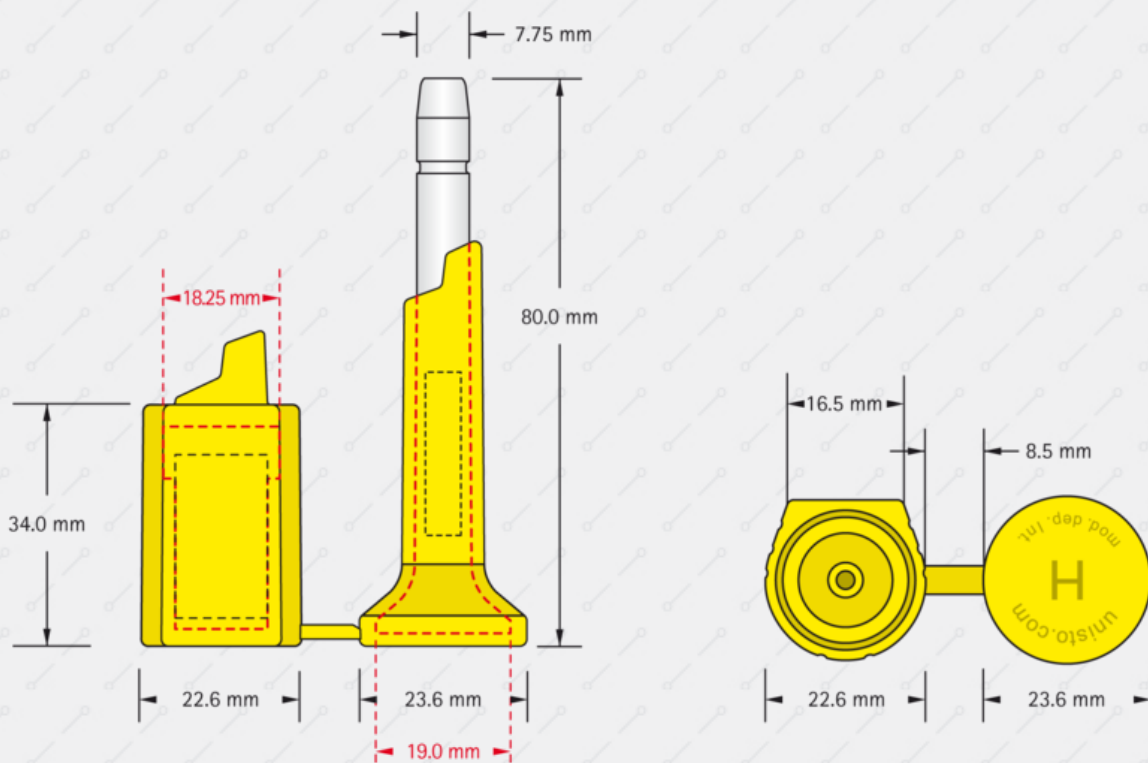
---

### Application

Container

---

- › Interlocking petals when closed provides evidence of attempted tampering by spinning
- › Steel locking body increases security level
- › Steel components excel the requirement of a minimum diameter of 18 mm
- › Pulling force 2'000 kg minimum prevents opportunistic theft
- › Customer name /logo for clear identification
- › Laser engraved numbering - impossible to change, increases security level
- › Numbers on bolt and body prevents substitution of component parts
- › Hi-Genius is fully ISO 17712:2013 compliant, incl. clause 6 "Testing for Evidence of Tampering"



**Materials**

Bolt: steel, silver zinc pattern  
 Body and spring: steel  
 Coating: Acrylonitrile Butadiene Styrene (ABS)

**Tensile strength**

Approx. 2'000 kg

**Numbering**

Directly laser marked, numbered or barcoded

**Customer name/logo**

Directly laser marked

**Plastic colours (laser)**

blue, yellow, green, white, pink

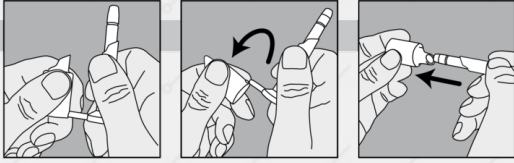
**Packing**

10 pieces per tray, 200 seals per carton 20 pieces per box, 200 seals per carton

**Packing size**

inner box -	280 x 59 x 87	mm
carton tray type	405 x 210 x 215	mm
box type	310 x 298 x 190	mm

## How to close



## How to open

